

SELF CLEANING FILTER

# URANUS MM PN25



Compact self cleaning filter, patented, with stainless steel cartridge

Body and component made in brass in conformity to UBA positive list

PN 25 – Max pressure 25 bar

Maximum operating temperature: 110° C

Replaceable stainless steel cartridge 300 or 100 micron mesh

NBR seals

In conformity for use with water

Pressure gauge connection 1/4" on both sides

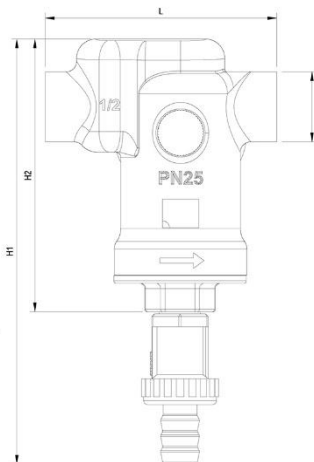
Threads FF - MM ISO 228

Available sizes: 4 in 1 connection - 1/2" (DN15) and 3/4" (DN20)

External sand blasted brass on nickel plated

Patent pending

conforme  
DM 174/2004



Codice	Misura	DN	H mm	L mm	Peso Gr
153.12	1/2"	15	165	145	910

Uranus Filter is easy to connect in any system with the 4 in 1 connecting system:



1/2" M with union fitting

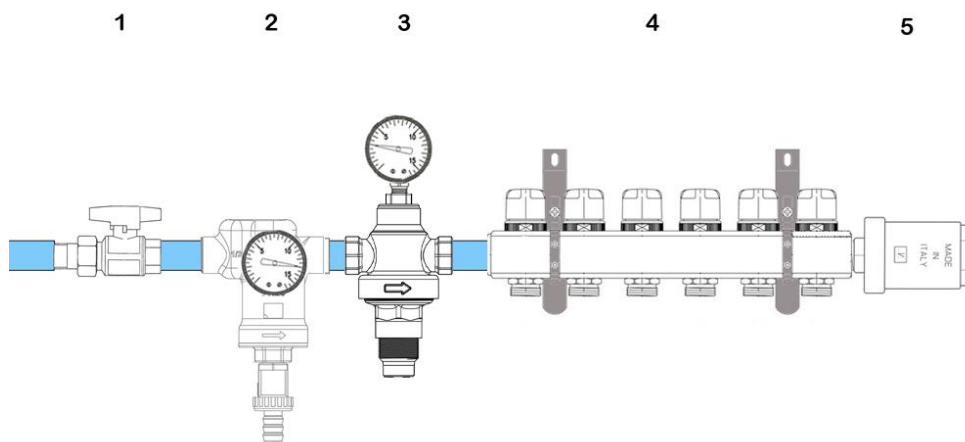


3/4" F with union fitting



Direct 1/2" F or 3/4" M

Suggested installation in housing systems:



- 1 – Ball valve
- 2 – Uranus filter
- 3 – Pressure reducer
- 4 – Manifold
- 5 – Water hammer arrestor

Uranus self cleaning filter is easy to clean and service; basic cleaning can be done by opening the drain valve in the bottom of the filter: place a bowl below the filter, open the drain valve for 5 seconds then close the drain valve.

In case a deeper cleaning is required or you need to replace cartridge, follow the indications below:

- Close the inlet and outlet flow then open the drain valve on the bottom of the filter.
- Once the pressure is completely discharged, proceed by loosening the lower cup using a 24mm spanner; separate the cup from the filter head;
- Remove the cartridge and run manual cleaning of the stainless steel cartridge. To complete this operation, it is not necessary the remove the filter head from the water system.
- If necessary the cartridge can be replaced with a new one.
- Assembly once again the whole parts and tighten the filter with 24mm spanner with max torque of 10nm.



**⚡WARNING:** Installation or any change of outlet pressure must be performed by qualified personnel.